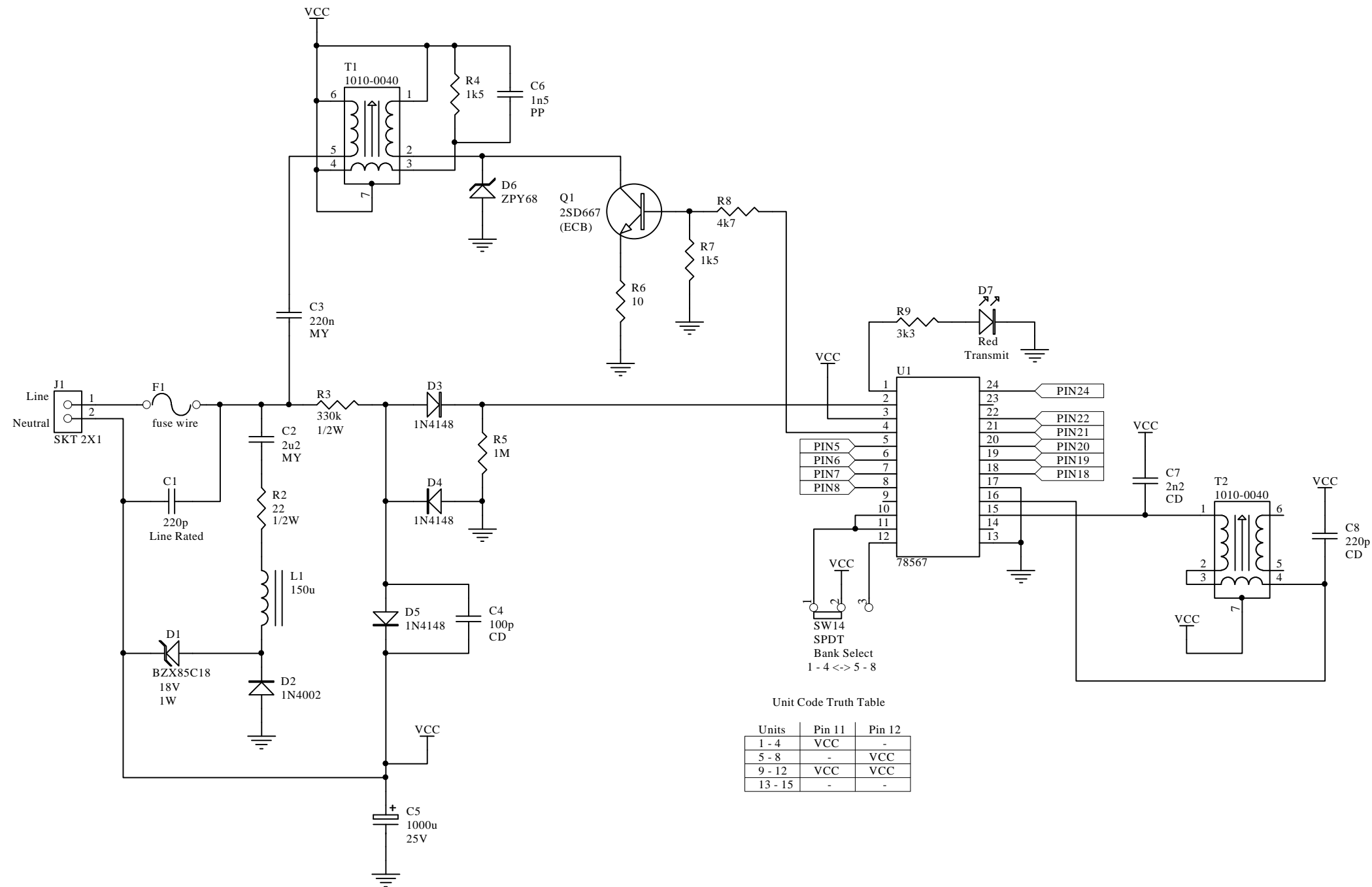


This document and the data disclosed herein or herewith is not to be reproduced, used, or disclosed in whole or in part to anyone without the written permission of X-10 (USA).

Rev	Description	Date	Approved



Transmitter

X-10 (USA)

15200 52nd Ave. S.
Seattle, WA
206-241-3283

Title:		
Mini Controller		
Size: B	Drawing Number: MC-460	Revision: 02
Date: 9-Jun-1998	Drawn by: m.a.c.	Sheet 2 of 2
File: M:\ADVSCH3\X-10\MC460-22.SCH		